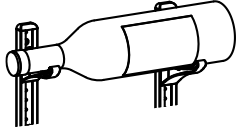


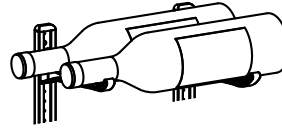
Label View :

LV1



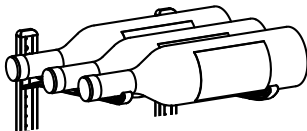
32" H x 13" W x 4" D
(81cm x 33cm x 10cm)

LV2



32" H x 13" W x 7 1/2" D
(81cm x 33cm x 19cm)

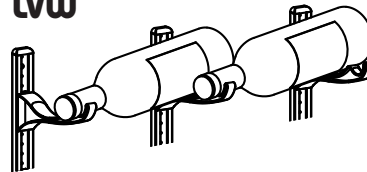
LV3



32" H x 13" W x 11" D
(81cm x 33cm x 28cm)

Wave

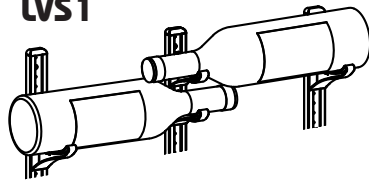
LVW



32" H x 21" W x 7 1/2" D
(81cm x 53cm x 19cm)

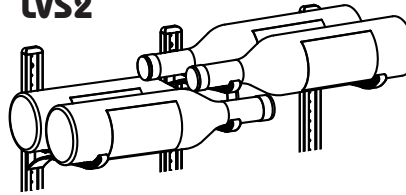
Space Saver :

LVS1



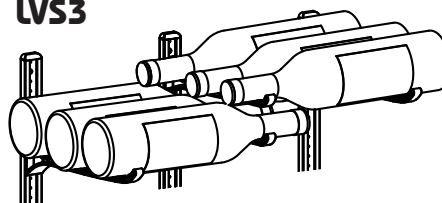
32" H x 21" W x 4" D
(81cm x 53cm x 10cm)

LVS2



32" H x 21" W x 7 1/2" D
(81cm x 53cm x 19cm)

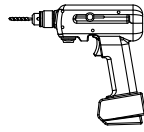
LVS3



32" H x 21" W x 11" D
(81cm x 53cm x 28cm)

Fully loaded rack height may reach 34" (86 cm).

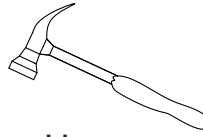
Tools :



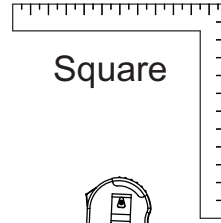
1/4" (6 - 6.5mm) Drill bit
& hand drill



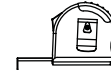
Level



Hammer

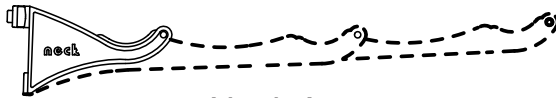


Square



Tape measure

Hardware & Components :



Neck Arm

(Label View 1,2,3) x 8
(Space Saver 1,2,3) x 15



Anchor
x (8,12)



Screw
x (8,12)



Base Arm

(Label View 1,2,3) x 8
(Space Saver 1,2,3) x 15



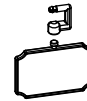
End Cap
x (4,6)



Column
Linker
x (2,3)

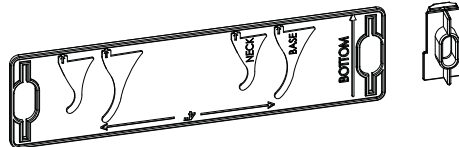


Wave Arm
x 24



ID Tag & holder
x (8,15,16)

Handy Spacer & Spacer Jig



Optional; recommended for installation of multiple units. Order at www.wineracking.com

Column

(Label View x 2)
(Space Saver x 3)
(Wave x 3)
LENGTH: 32" (81cm)

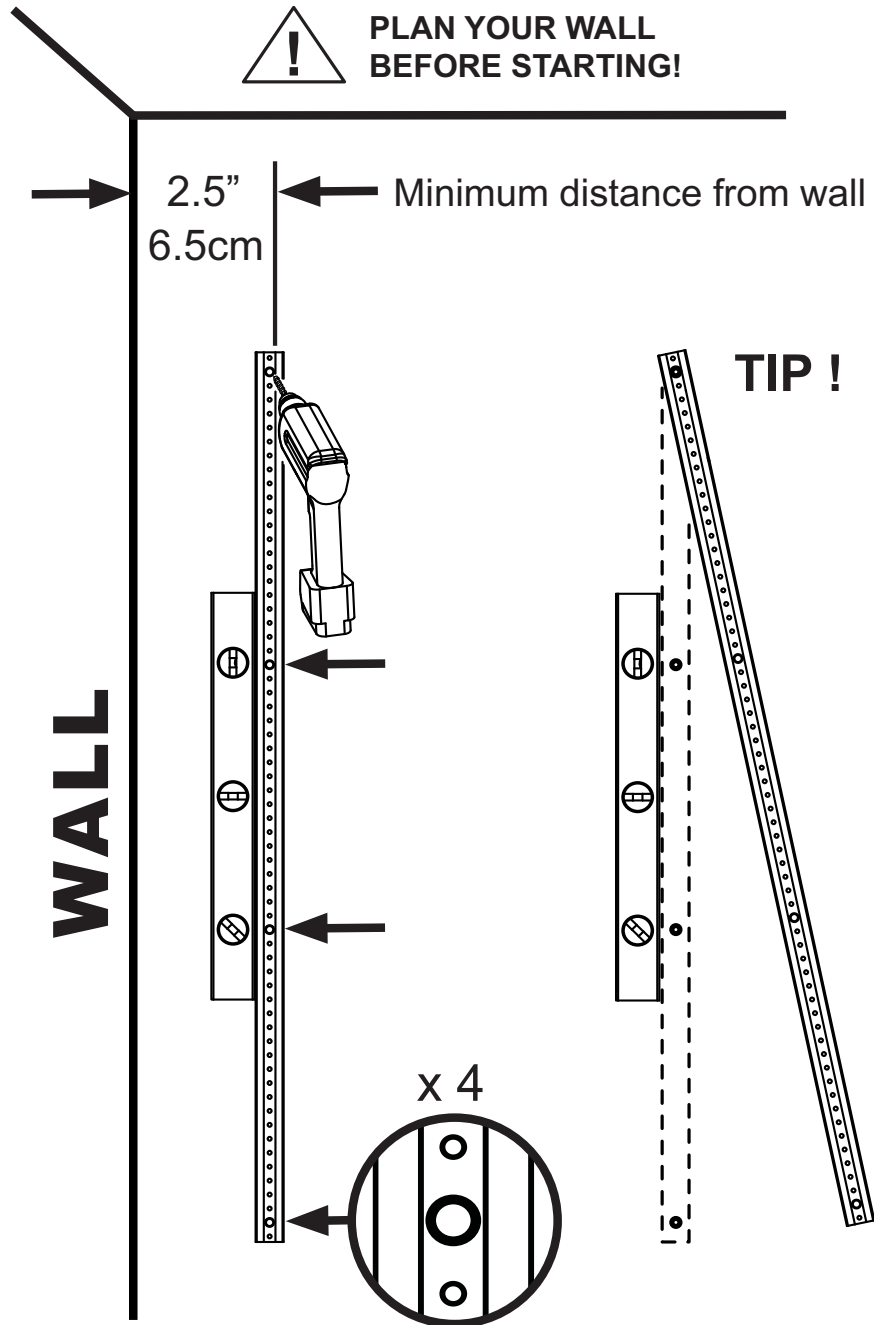


Hex Key
x 1

1

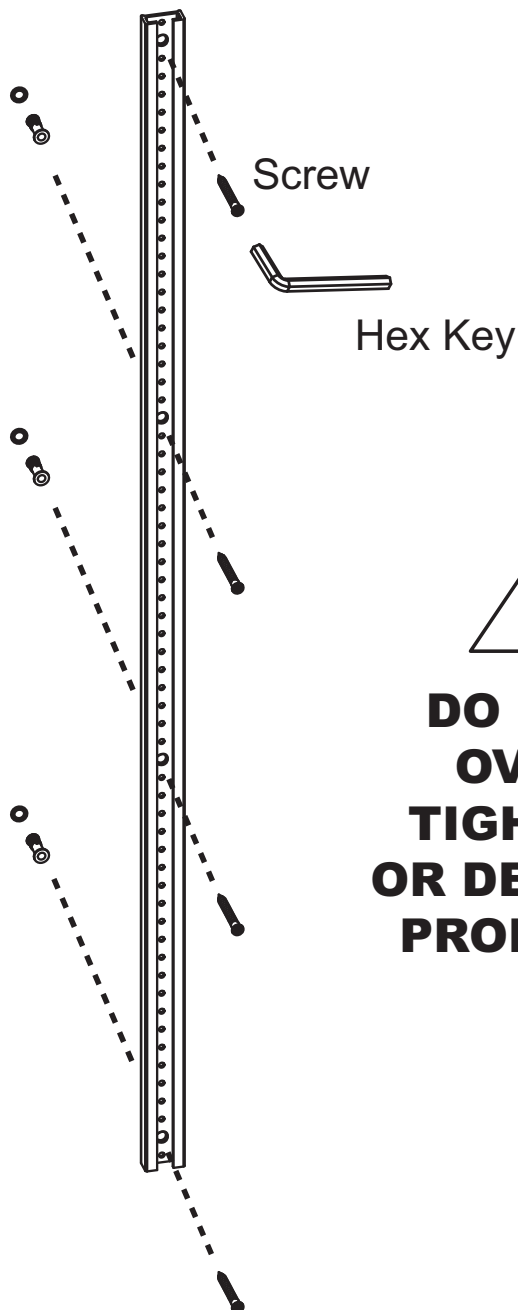
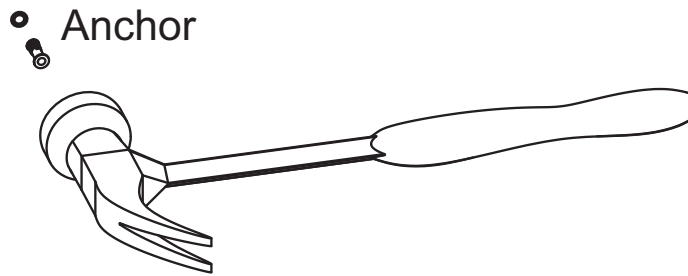
Installing 1st Column

Wall materials vary, use appropriate anchors for your application. For advice on suitable screw systems, contact your local specialized dealer.



Level 1st Column. Drill right **through** the column at all 4 large holes of Column using a 1/4" (6 - 6.5mm) bit.

TIP: Drill top hole first, tap in anchor, screw in column loosely, level and drill bottom 3 holes. Angle column to side to tap in anchors.

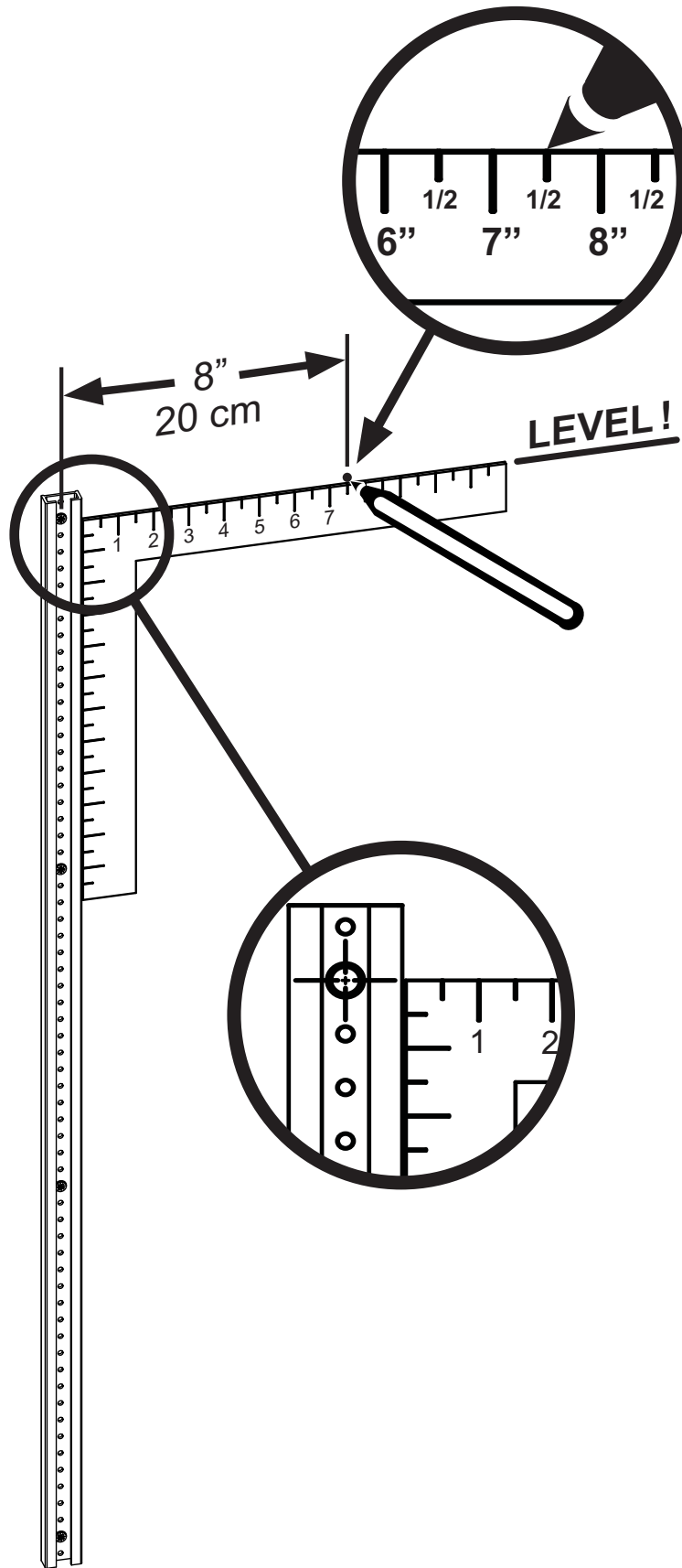



**DO NOT
OVER
TIGHTEN
OR DEFORM
PROFILE !**

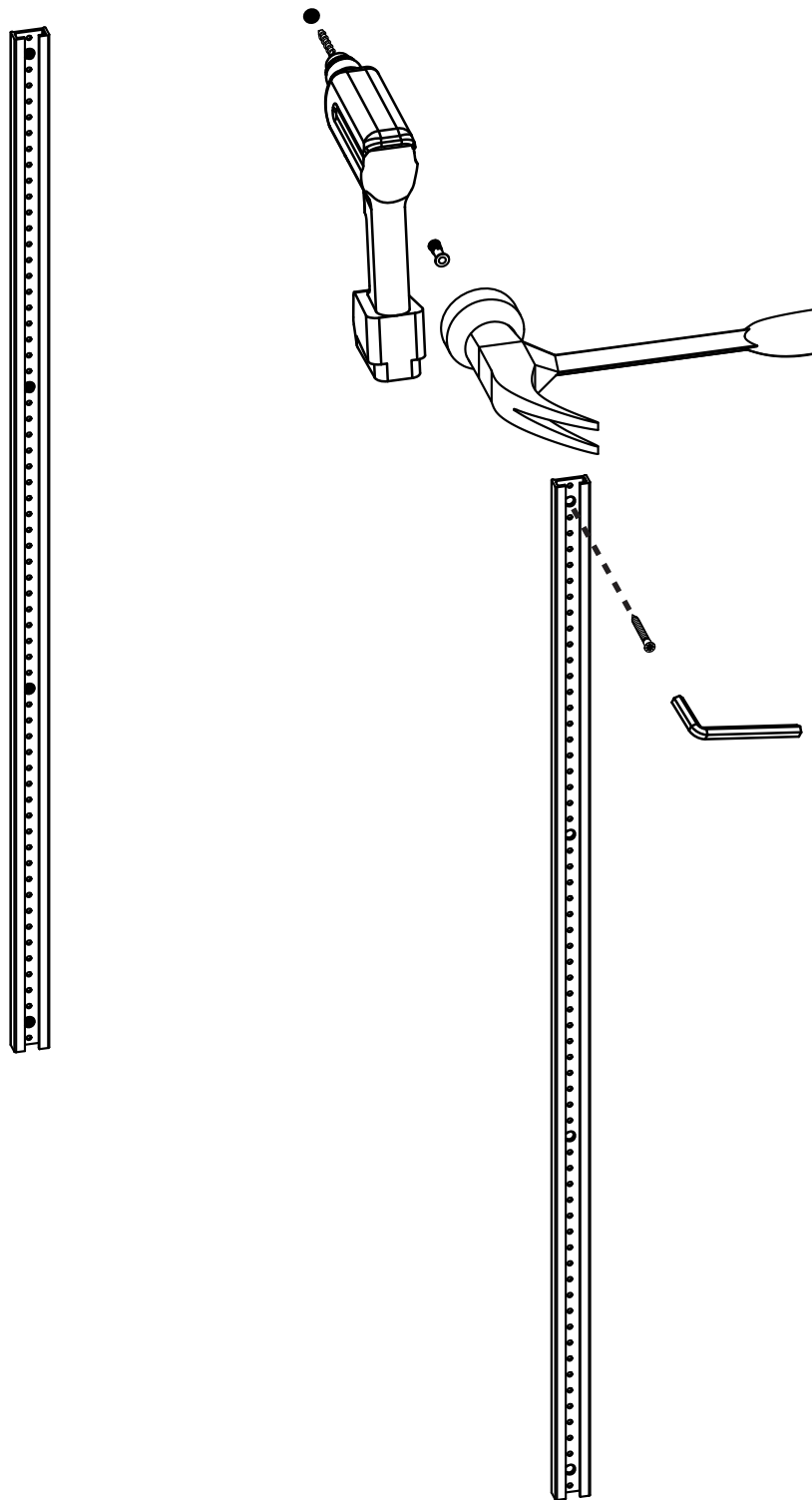
Screw 1st Column to wall.

3

Installing 2nd Column

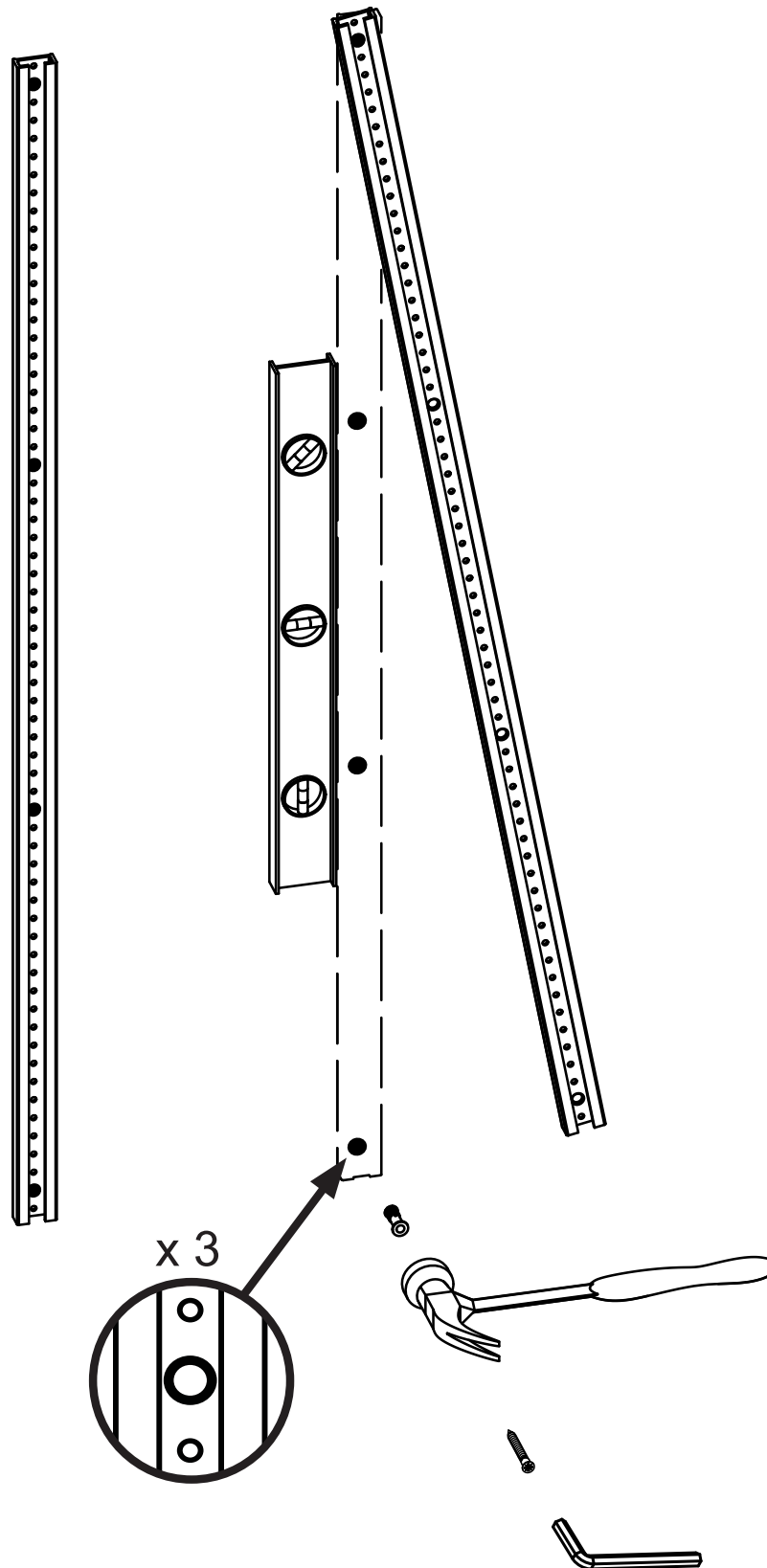


Mark top hole of 2nd column using a Square or Level. Spacing in between columns is **8" (20 cm) CENTER TO CENTER OF HOLES.**



Drill hole, tap in anchor and screw in 2nd column at top hole loosely.

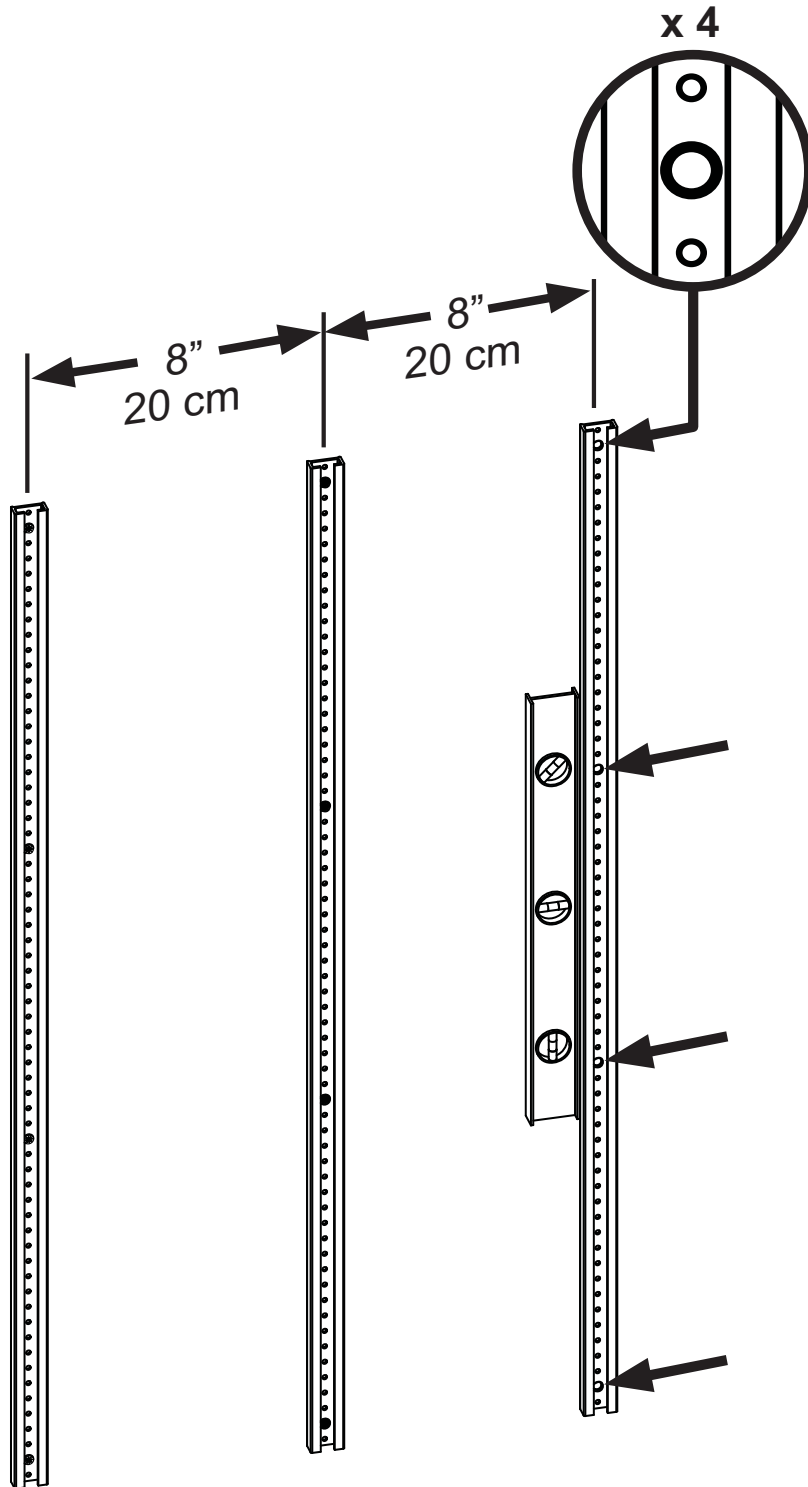
2 Column Setup



Level 2nd column and drill right through column at all 3 large holes. Angle column to tap in anchors and screw in column.

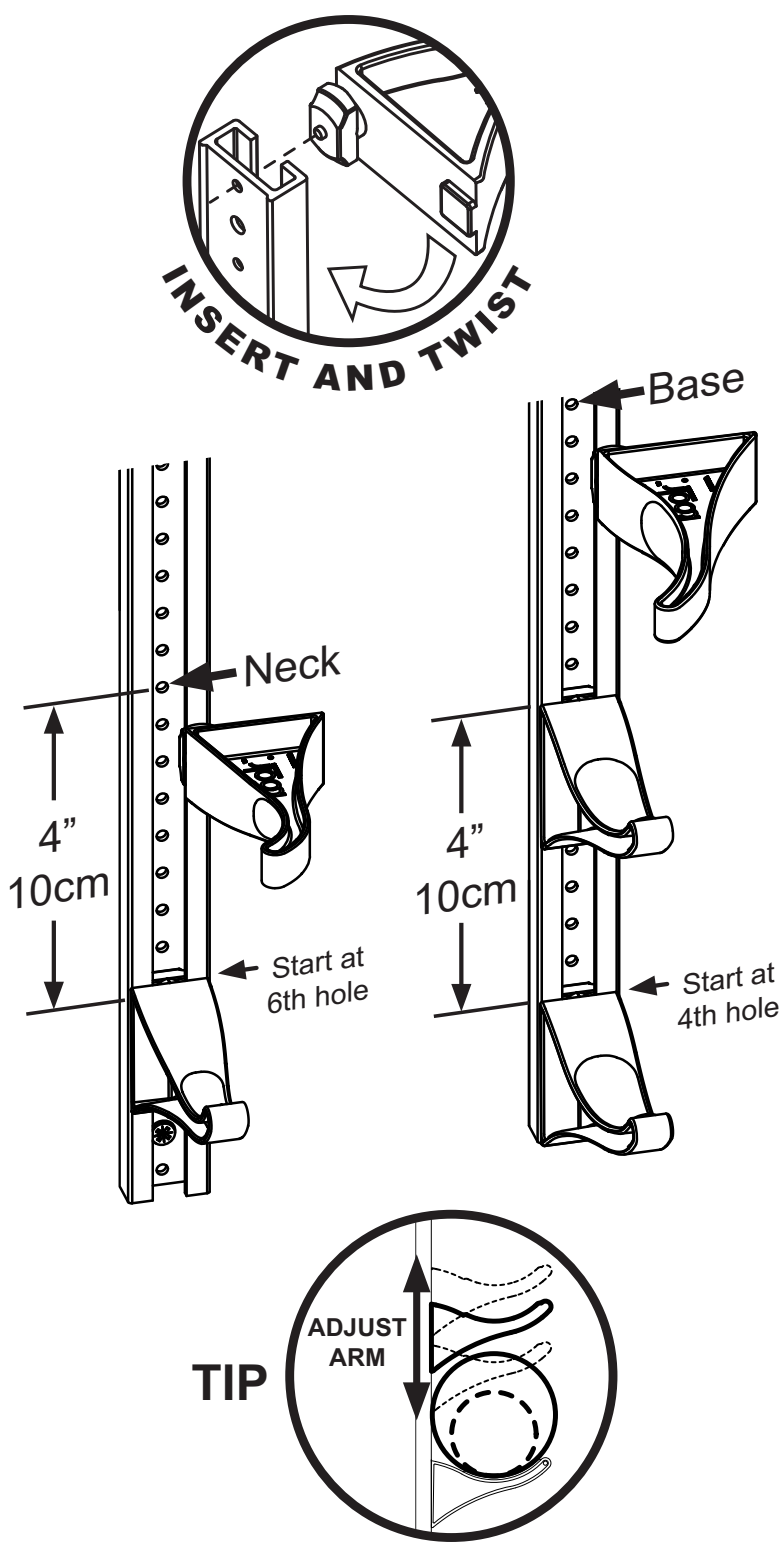
Space Saver & Wave

3 Column Setup



Level 3rd Column, Drill through 4 holes of column, tap in anchors and screw in column.

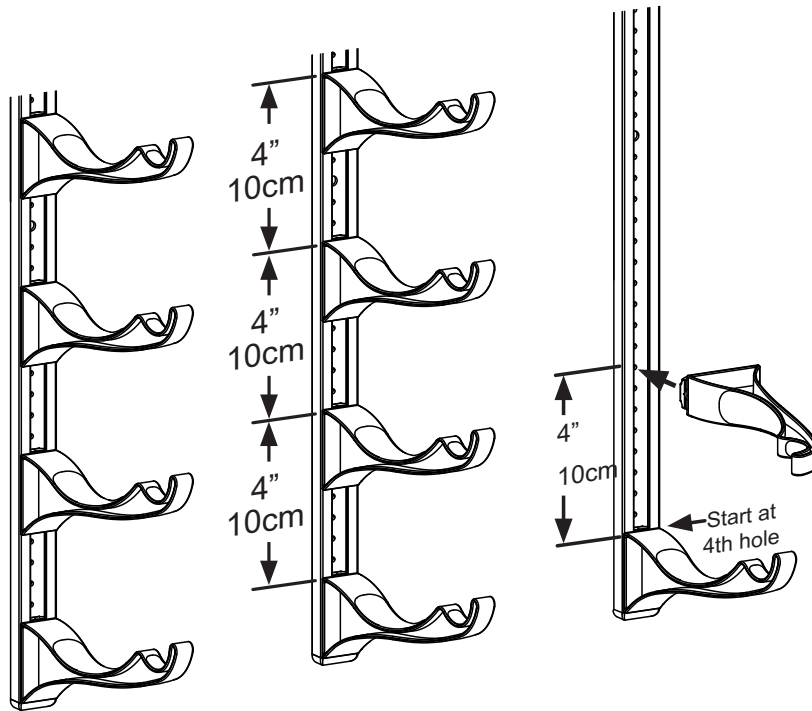
Label View



NOTE : Standard height spacing between arms is 4"(10cm) and 1" (2.5cm) for Neck and Base offset.

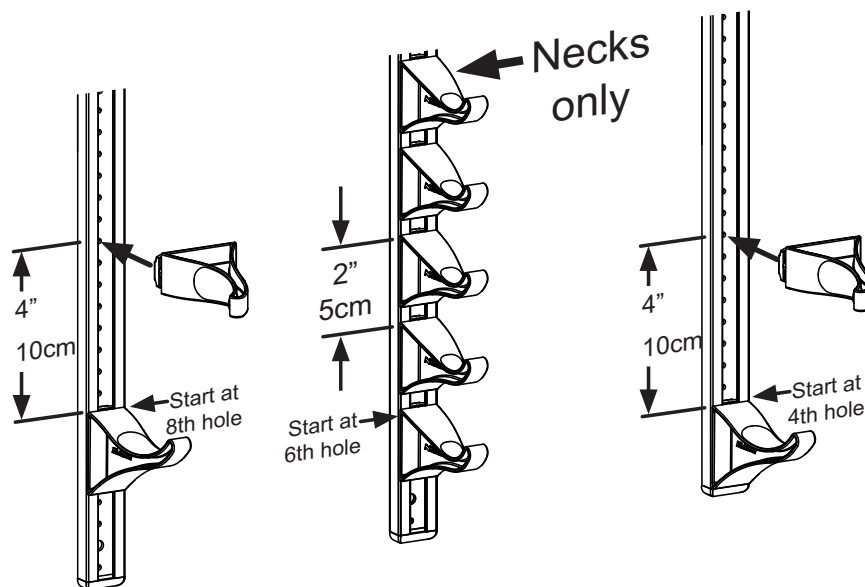
TIP : You can adjust Arms for non standard bottles.

Wave



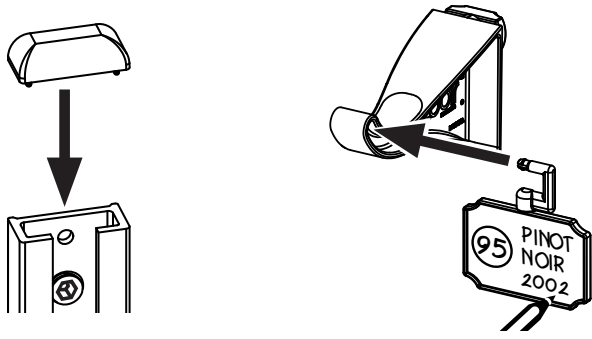
Insert Wave arms at every 4"(10cm) spacing, starting at the 4th hole.

Space Saver



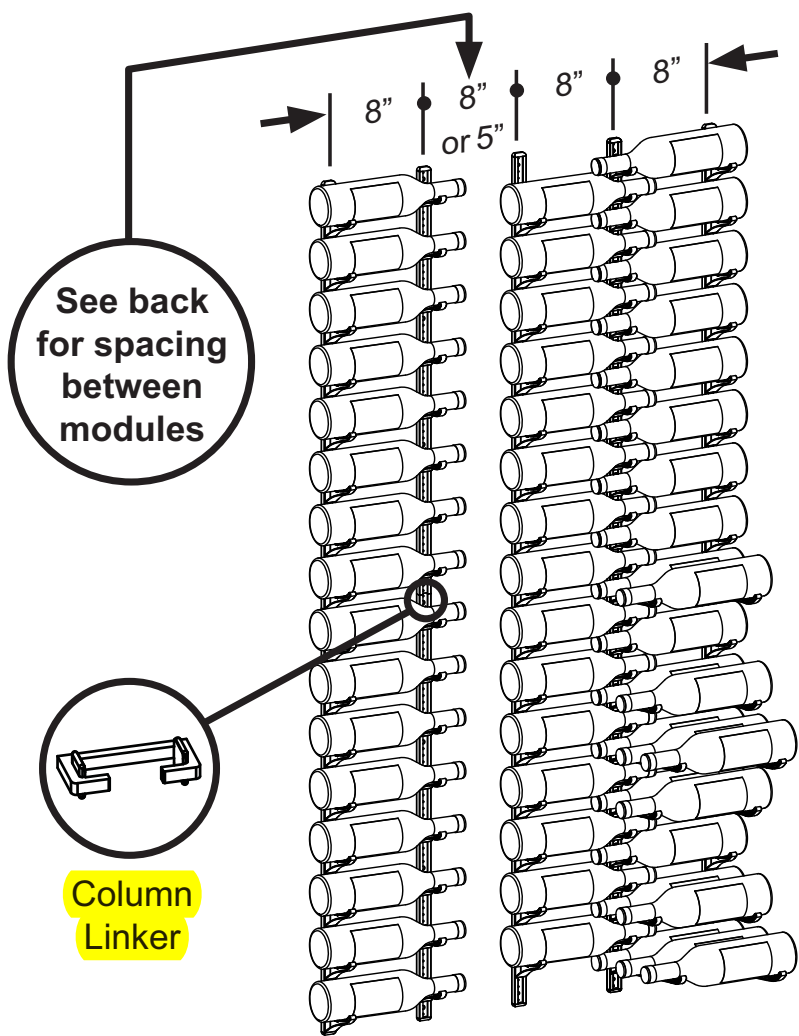
NOTE : Middle neck column spacing is 2"(5cm) starting at the 6th hole. Base arms can start at the bottom of either column, right or left. The opposite Base column Arm **MUST** start at the 8th hole.

Install Cap & Optional ID Tag



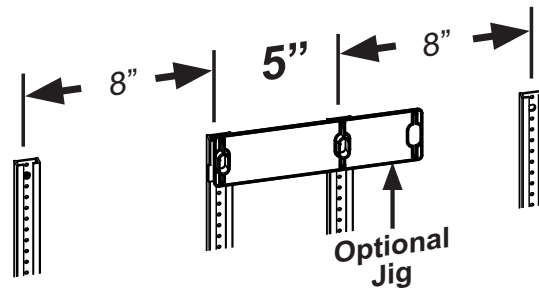
Snap ID Tag to ID Tag Holder. Insert ID Tag holder pin through hole at tip of Neck support arm. Writing becomes visible in seconds with any window marker.

Stack, Expand & Customize

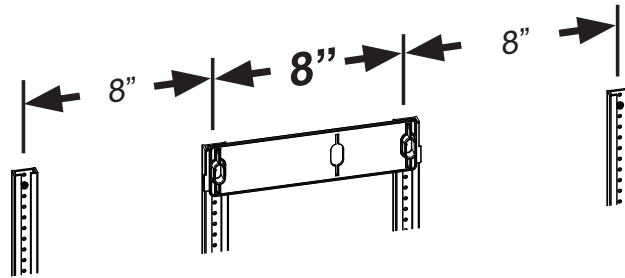


Stack using provided linker in between columns. Customize by combining different support arms on columns. You can reorient bottle direction and adjust for bottle clearance. Columns can be cut to size with a saw. This modular system grows with your collection, without limits to your imagination.

OPTIMAL 5" SPACING



RELAXED 8" SPACING



Several modules can be placed side by side using the same Spacer for 5"(13cm) or 8"(20cm) spacing in between modules. **If you are placing 2 or more Wave modules together, you MUST use 8"(20cm) spacing.**

TEST BEFORE USE

Use of WINE RACK is strictly at your own risk. Koolr Products Inc. will not accept any responsibility or liability for damages resulting from units not assembled precisely as directed, or not securely fastened to a wall or supported with suitable fasteners. Before placing any bottles in your WINE RACK, test it thoroughly to make sure all fasteners are secure.

LIMITED WARRANTY

Koolr Products Inc. warrants this product to be free from defects due to workmanship or material, under normal use and service, for a period of one (1) year after the date of purchase.

This warranty does not cover normal cosmetic wear, cosmetic defects, damage resulting from improper assembly or maintenance, methods of attaching to a wall or installation and use of improper anchors, shipping damage, accident, or any misuse, abuse or use contrary to the written instructions. This product is not warranted for commercial use.

The warranties expressed above constitute the entire warranty of Koolr Products Inc. with regard to its products and are in lieu of and exclusive of all other warranties, express or implied, including any of merchantability or fitness for a particular purpose. In no event shall Koolr Products Inc. be liable or responsible for incidental or consequential damages, including spoilage or breakage of wine. It is your own responsibility to insure your wine, and to take all reasonable and necessary precautions to safeguard its condition. Report broken or missing parts immediately upon purchase. A dated bill of sale is required for proof of purchase.

Label View a division of:

koolr[™]
PRODUCTS

www.wineracking.com

© Copyright 2009