



Elite Kit  
Wine Racking Display  
271 Standard Bottles 2'  
10 1/2\"

Antenna Sociale FALLETTO di Brivio Inverese

6 MG 1970  
GRAND VIN DE LATOUR

WINE FOR THE FAMILY ESTATE



Elite Kit  
Wine Racking Display

271 Standard Bottles  
Regularly \$4,350.00  
Clearance Sale  
\$1,350.00

Sevenda Agricola FALLETTO di Bruno Bianchi

6 MG 1870  
GRAND VIN DE LATOUR



Elite Kit  
Wine Racking Display  
271 Standard Bottles  
Regularly \$4,350.00  
+ assembly & taxes  
Clearance Sale  
\$1,350.00  
Call our sales rep

GRAND VIN DE LATOUR  
1070  
6 MG

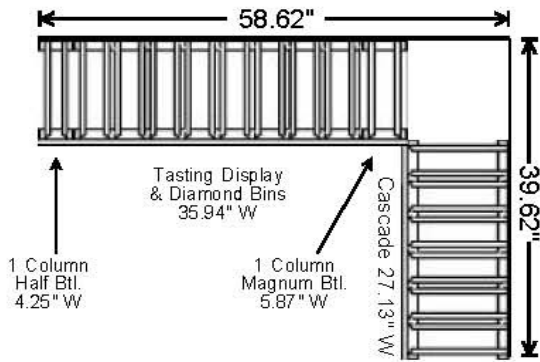
GRAND VIN DE LATOUR  
1070  
6 MG

# Elite Kit Racking

Seamless 7" High Modular Racking System  
(Includes individual base & crown pieces)

Mahogany with port stain & lacquer  
~~\$4,350.00~~ +assembly & taxes

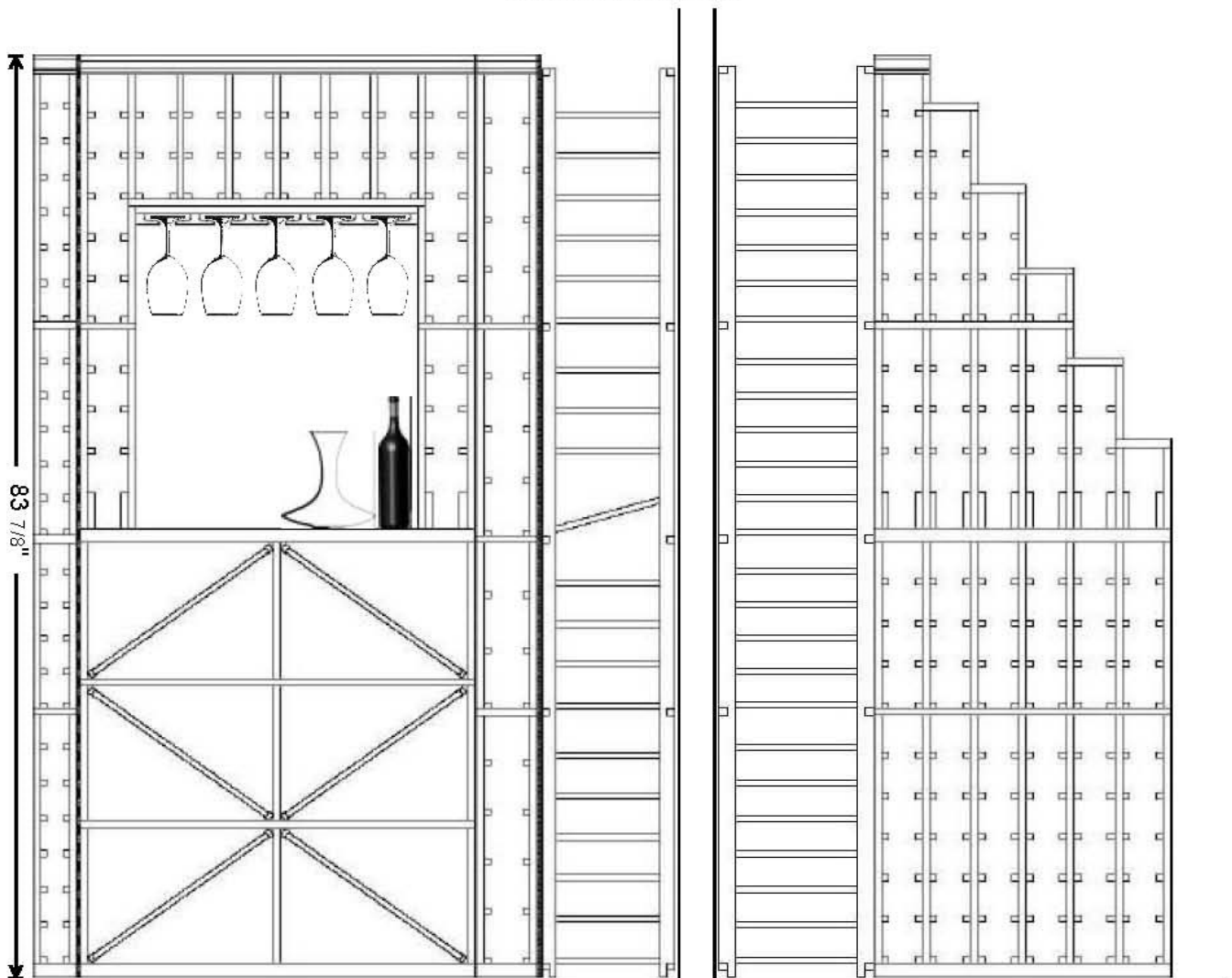
**Clearance Sale \$1,350.00**  
Cash sale, taxes incl.



This showroom display finish is now discontinued. Individual components are assembled and need to be reassembled together to create the display as shown.

It is highly-recommended that this display be re-installed by a finishing carpenter or use a contractor referred by Strictly Cellars.

Due to the assembled nature of this display, it cannot be shipped and must be picked up in an appropriate vehicle. Please contact us to discuss.



Elevation Views

**Notes:**

Scale: 1/2" & 3/4" = 1'

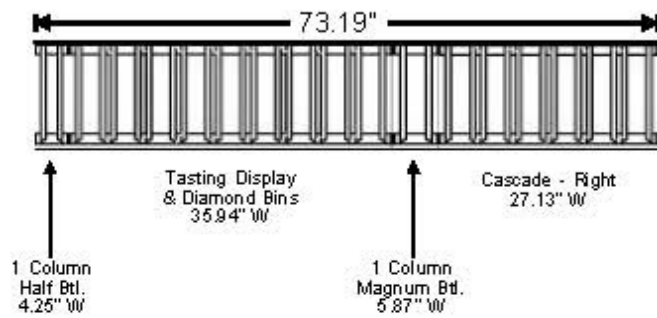
Elite Kit Rack with base & crown molding is 82 7/8"

Capacity: 229 standard, 25 Half & 17 Magnum bottles ± (271)

**Strictly Cellars & Accessories**

TITLE: Elite Kit Rack		REFERENCE: SC Display
DRAWN BY: JD - R0	DATE: 09/13/2024	DRAWING No: SC-EK01

### Alternate Layout



## Elite Kit Racking

Seamless 7" High Modular Racking System  
(Includes individual base & crown pieces)

Mahogany with *port stain & lacquer*

~~\$4,350.00~~ +assembly & taxes

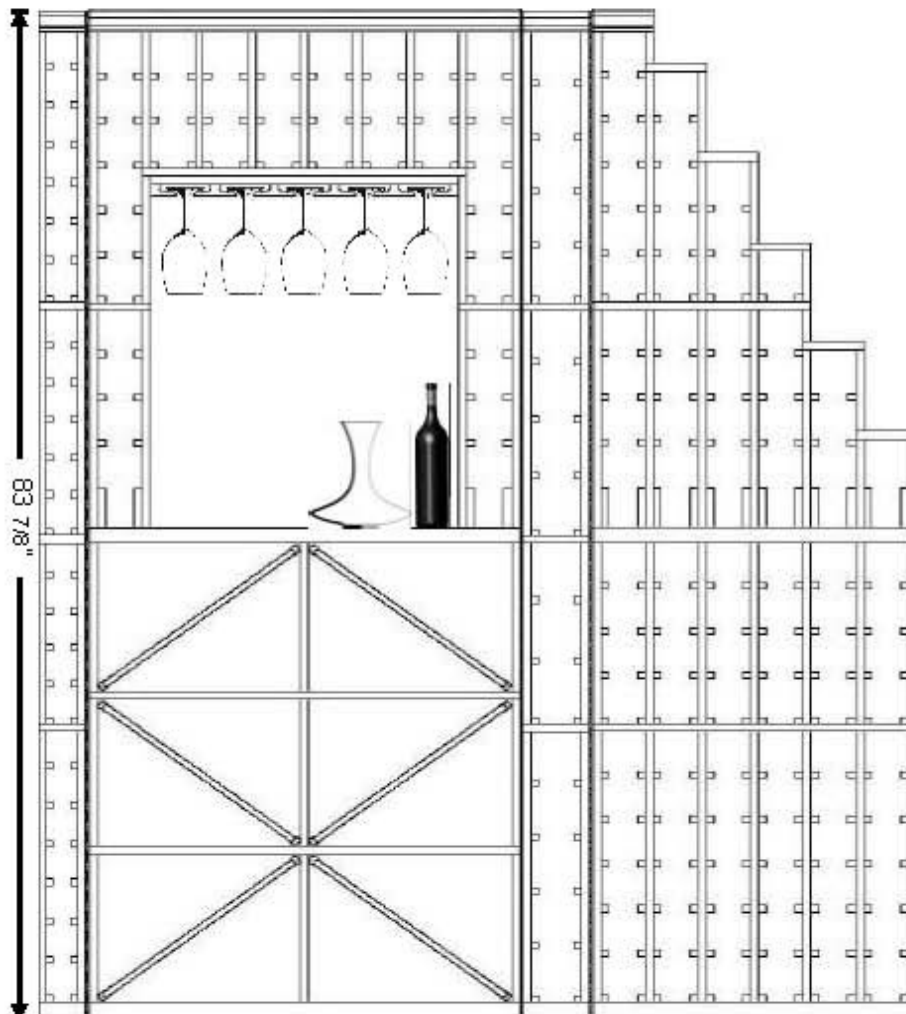
**Clearance Sale \$1,350.00**

Cash sale, taxes incl.

This showroom display finish is now discontinued. Individual components are assembled and need to be reassembled together to create the display as shown.

It is highly-recommended that this display be re-installed by a finishing carpenter or use a contractor referred by Strictly Cellars.

Due to the assembled nature of this display, it cannot be shipped and must be picked up in an appropriate vehicle. Please contact us to discuss.



Elevation View

#### Notes:

Scale: 1/2" & 3/4" = 1'

Elite Kit Rack with base & crown molding is 82 7/8"

Capacity: 229 standard, 25 Half & 17 Magnum bottles ± (271)

### Strictly Cellars & Accessories

TITLE: Elite Kit Rack		REFERENCE: SC Display
DRAWN BY: JD - R0	DATE: 09/13/2024	DRAWING No: SC-EK01